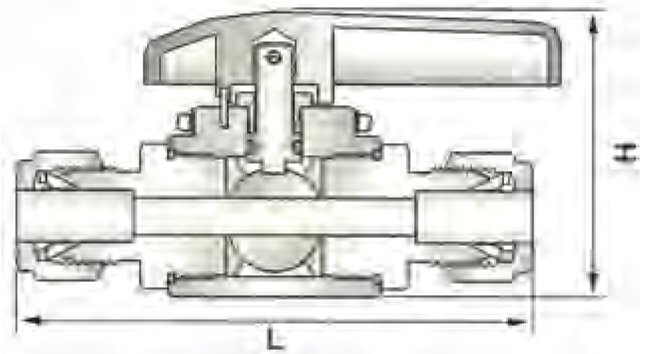
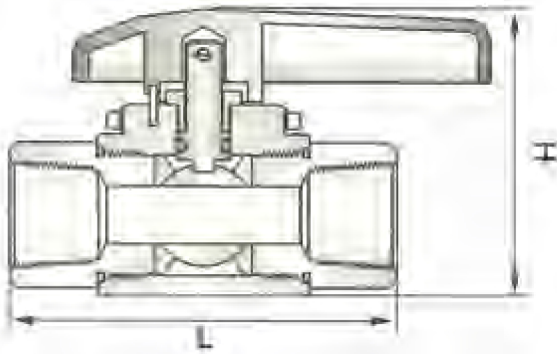


2 Way Ball Valve Dimensions



Part No.	Size	L	H	Orifice
SBV-2-S-02-OD	1/8" OD	78	50	3
SBV-2-S-02-FF	1/8" FEMALE NPT	70	50	3
SBV-2-S-M04-OD	4MM OD	78	50	3
SBV-2-S-04-OD	1/4" OD	78	50	5
SBV-2-S-04-FF	1/4" FEMALE NPT	70	50	5
SBV-2-S-M06-OD	6MM OD	78	50	5
SBV-2-S-05-OD	5/16" OD	78	50	5
SBV-2-S-M08-OD	8MM OD	78	50	5
SBV-2-S-06-OD	3/8" OD	85	50	8
SBV-2-S-06-FF	3/8" FEMALE NPT	72	50	8
SBV-2-S-M10-OD	10MM OD	85	50	8
SBV-2-S-08-OD	1/2" OD	102	60	10
SBV-2-S-08-FF	1/2" FEMALE NPT	85	60	10
SBV-2-S-M12-OD	12MM OD	102	60	10
SBV-2-S-10-OD	5/8" OD	97	63	10
SBV-2-S-M16-OD	16MM OD	97	63	10
SBV-2-S-12-OD	3/4" OD	115	60	16
SBV-2-S-12-FF	3/4" FEMALE NPT	98	60	16
SBV-2-S-M20-OD	20mm OD	115	60	16
SBV-2-S-16-OD	1" OD	121	73	19
SBV-2-S-16-FF	1" FEMALE NPT	115	70	19
SBV-2-S-M25-OD	25MM OD	121	73	19

* All dimensions are in millimeters unless otherwise specified. Dimensions are for reference only, subject to change

* 300 Series Ball Valves are also available in angle pattern and 3-way switching model

WARNING: Inadequate care or improper utilization of the product can cause excessive damage to life and property. Sync-Lok products are at your liable use and the behest of the user's responsibility to check and analyze the product in which it is going to be inserted, so that the same functions properly and the relevant product is also very important for all safe guard and also precautions to be taken before the user puts the product into service