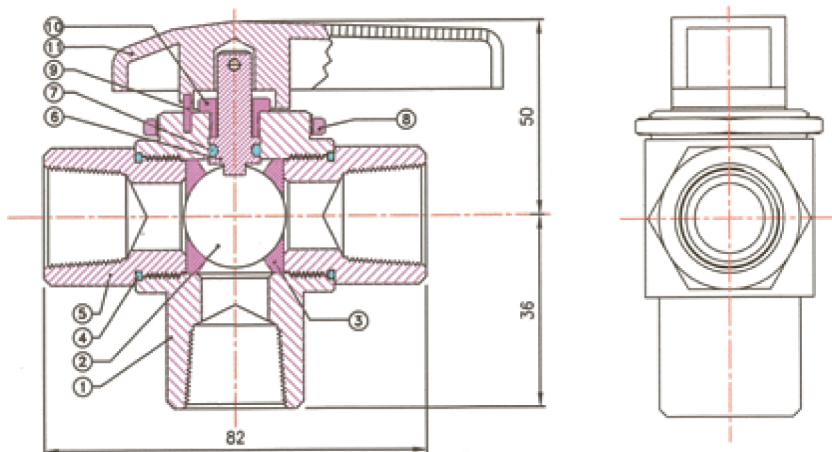


3-Way Ball Valves



Sr.	Description	Qty.	Material
1	BODY	1	AISI 316 SS / CS
2	BALL	1	AISI 316 SS / CS
3	PACKING	2	PTFE / POM
4	O' RING	2	VITON / BUNA-N
5	ADAPTERS	2	AISI 316 SS / CS
6	SPINDLE	1	AISI 316 SS / CS
7	O' RING	1	VITON / BUNA-N
8	PANEL NUT	1	AISI 316 SS / CS
9	LOCK PIN	1	AISI 316 SS / CS
10	GLAND NUT	1	AISI 316 SS / CS
11	HANDLE	1	NYLON

Features:

- SS 316 construction for corrosion resistance
- Full or reduced bore for excellent flow
- Flexible 3-piece design
- Anti blow-out, internally loaded stem for safety
- 90° smooth action operation
- PTFE/POM seats for ease of use and minimum maintenance
- Pressure rating 6,000 psi

Material Options:

- SS 316, Carbon Steel, Bronze, Hastalloy, Monel
- Optional Kel-F, Polyaman & Peek packing available in high pressure valves

End Connections:

- 1/4" to 1" NPT, BSP, Male or Female threaded or 1/4", 3/8", 1/2" Sync-Lok single or twin ferrule tube fitting ends

Tests:

- Each valve is tested with Nitrogen @ 1,000 psi for seat & seal leakage with a leakage rate of 0.1 sec/min
- Hydro tests performed with pure water @ 1.5 litres of the working pressure
- All valves are 100% factory tested and complete traceability is available upon request
- Valves can be supplied to meet current revision of NACE MR01-75 (Sour Gas Service)

Sync-Lok Locations

407 Newburg Avenue
 Catonsville, MD 21228
 410-869-3480 - Phone
 410-869-3482 - Fax
 info@sync-lok.com - E-Mail

6 Janice Street
 Stanhope, NJ 07874
 973-810-2773 - Phone
 973-810-2774 - Fax