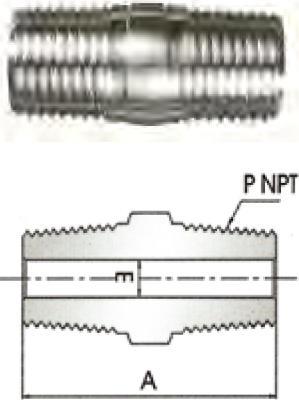
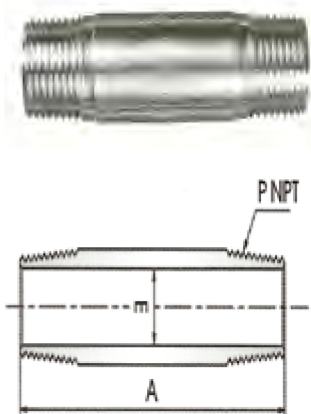


Close Nipple



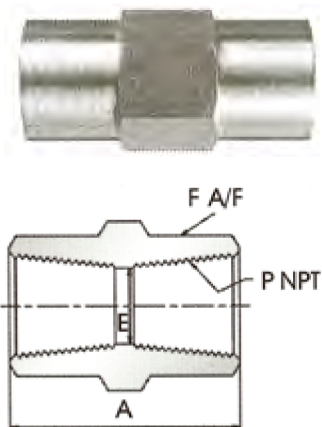
Part No	Pipe Size	Dimensions	
	P-PT, NPT	A	E
SCN-02	1/8	19.05	4.8
SCN-04	1/4	28.40	7.1
SCN-06	3/8	28.40	9.6
SCN-08	1/2	31.70	11.9
SCN-12	3/4	31.70	15.8
SCN-16	1	47.80	22.4

Long Pipe Nipple



Part No	Pipe Size	Dimensions-A					
	P-PT, NPT	1.5	2	2.5	3	4	E
SLPN-02	1/8	1.5	2	2.5	3	4	5.7
SLPN-04	1/4	1.5	2	2.5	3	4	7.8
SLPN-06	3/8	1.5	2	2.5	3	4	10.9
SLPN-08	1/2	1.5	2	2.5	3	4	14.3
SLPN-12	3/4	1.5	2	2.5	3	4	19.4
SLPN-16	1	2	2.5	3	4	25.0	

Coupling



Part No	Pipe Size	Dimensions		
	P-PT, NPT	A	E	F
SHC-02	1/8	20.6	8.6	9/16
SHC-04	1/4	30.2	11.4	3/4
SHC-06	3/8	33.3	15.0	7/8
SHC-08	1/2	39.6	18.5	1 1/16
SHC-12	3/4	41.1	23.9	1 5/16
SHC-16	1	47.8	29.7	1 5/8